

H5020



GoSmart PIR Motion Detector Zigbee IP-2210Z



Table of Contents

Safety instructions and warnings	2
Contents of the package	3
Technical Specifications	3
Description of the device	4
Installation and assembly	5
Controls and functions	12
Troubleshooting FAQ	15

Safety instructions and warnings



Before using the device, read the instructions for use.



Observe the safety instructions in this manual.

Do not place heavy objects on the device.

Do not use water or chemicals to clean dirt from the outside of the device. Always use a dry cloth to prevent mechanical damage and electric shock.

EMOS spol. s r.o. declares that the product H5020 complies with the essential requirements and other relevant provisions of the directives. The equipment can be operated freely in the EU.

The Declaration of Conformity can be found on the website <http://www.emos.eu/download>.

The equipment can be operated on the basis of general authorisation No. VO-R/10/07.2021-8 as amended.



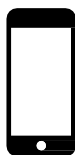
Package
contents PIR
sensor Magnetic
holder 3M tape
CR132A 3V battery



Technical Specifications

Power supply: CR132A 3V
Dimensions: 48.4 × 53.4 mm
PIR distance: 8 m
PIR angle: 90°
APP: EMOS GoSmart for Android and iOS
Connectivity: 2.4 GHz Zigbee 3.0 (2 405-2 480 MHz)

Notice



✓ 2.4 GHz



5 GHz ✗



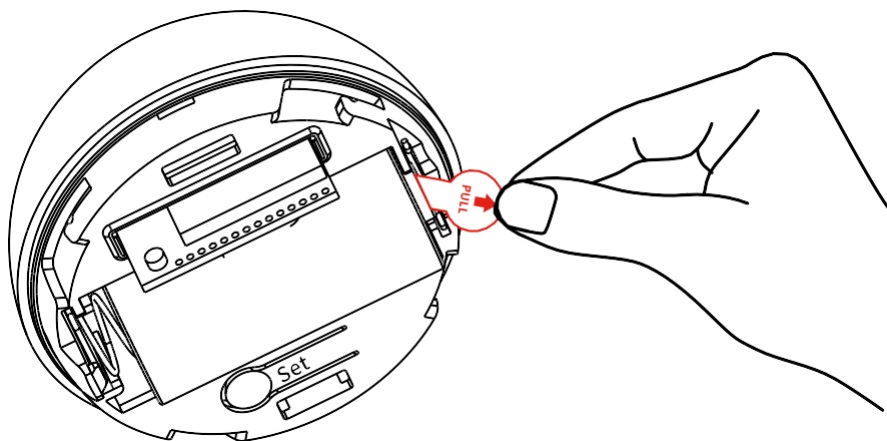
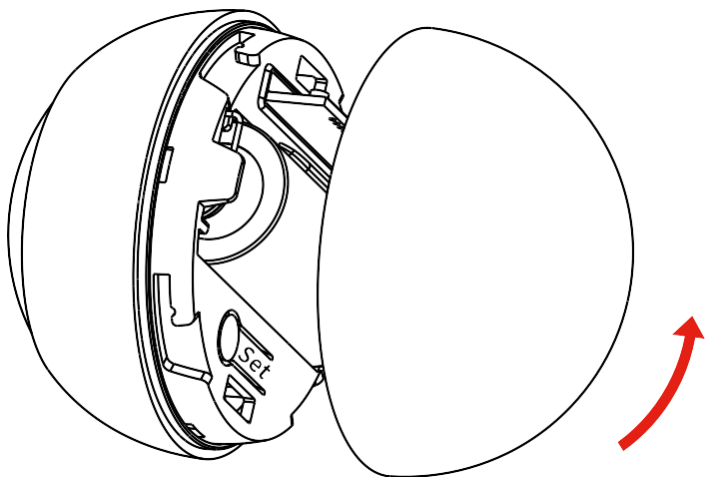
Sensors must be connected to the ZigBee gateway. The ZigBee gateway itself must be connected to a 2.4 GHz Wi-Fi network.

Description of the device

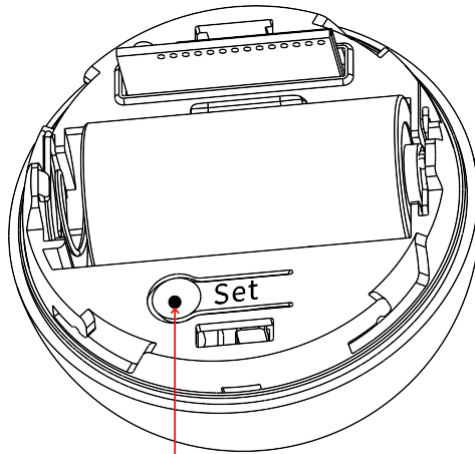


- 1 - PIR sensor and light signaling
- 2 - Magnetic holder
- 3 - Battery cover
- 4 - Reset button
- 5 - Battery compartment

Installation and assembly

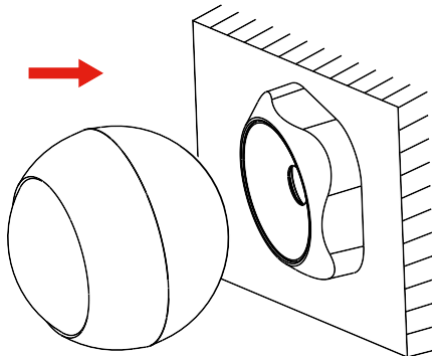
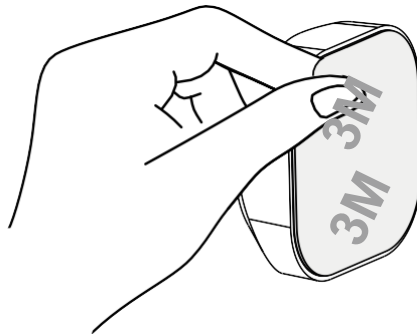


Unscrew the back cover and remove the plastic insulation of the battery.



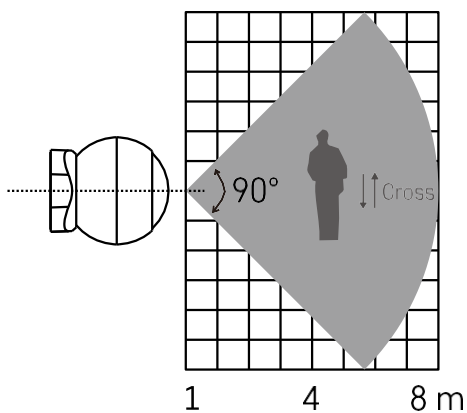
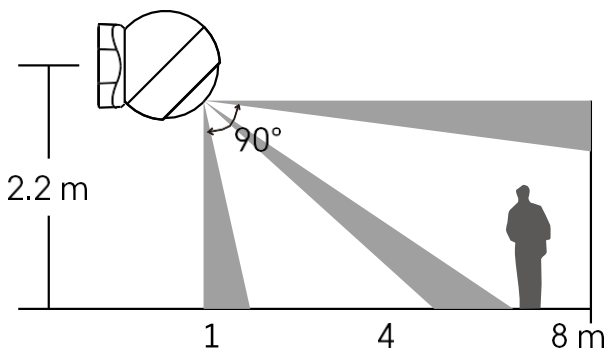
5 sec.

Hold the reset button for 5 seconds until the sensor flashes and then pair it with your phone.

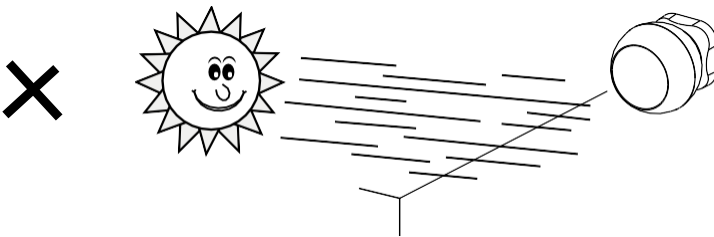
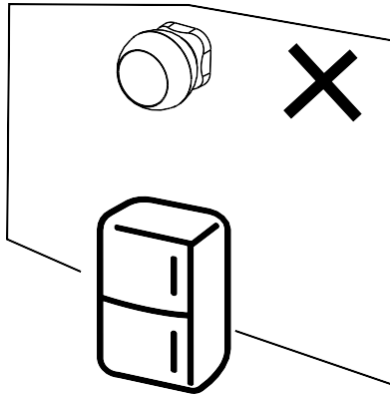
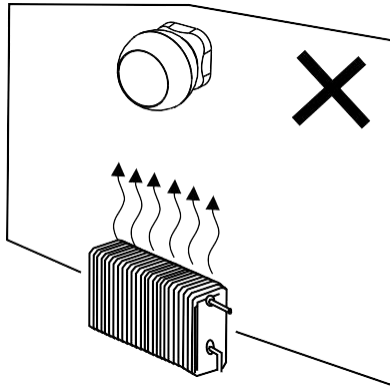


Peel off the tape insulation on the back of the holder and stick it to the place of your choice. Then just attach the sensor to the magnetic holder and rotate it to your preference.

Notice for sensor installation



For optimum performance, install the sensor at a height of approx. 2.2m.



For optimal PIR sensor function, we recommend placing it in an area without direct heat (e.g. radiators, fireplaces, stoves), cooling (e.g. refrigerators, air conditioners) or sunlight. These sources of heat, cold and sunlight can affect the sensitivity of the sensor and lead to incorrect motion detection, which could cause unwanted alarms or non-detection of actual motion in the space. The PIR sensor works by detecting infrared radiation emitted by bodies in its vicinity and disruption of this infrared region can interfere with its proper function.

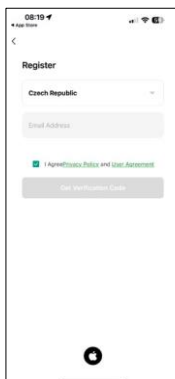
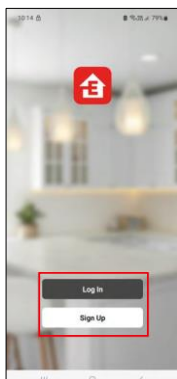
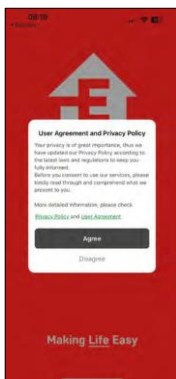
Pairing with an app

Installing the EMOS GoSmart app

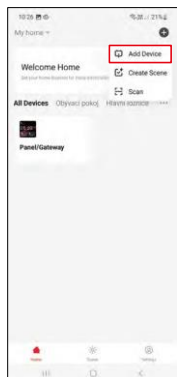
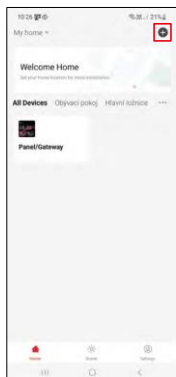


- The app is available for Android and iOS via Google play and the App Store.
- Please scan the QR code to download the app.

Steps in the EMOS GoSmart mobile app

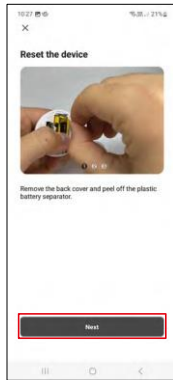


Open the EMOS GoSmart app and confirm the privacy policy and click I agree. Select the registration option. Enter the name of a valid email address and choose a password. Confirm your consent to the privacy policy. Select register.

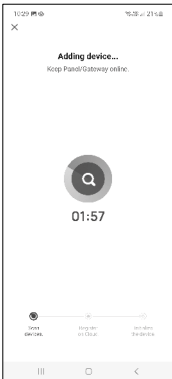


Select Add device.

Select the GoSmart product category and select the "PIR Movement Sensor" device.



Select the Zigbee gateway to which you want to connect the device.
Follow the instructions in the video and description. It is important to turn on and reset the sensor.

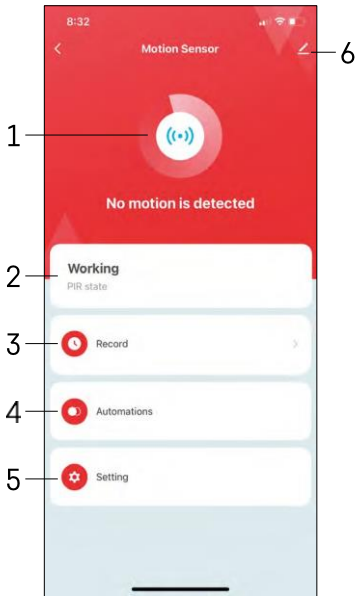


The device is automatically found and then added.

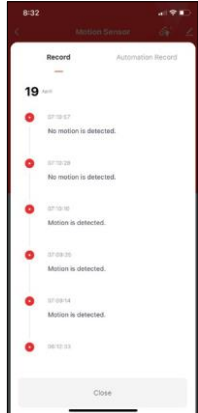
Controls and functions

Icons and indicator lights

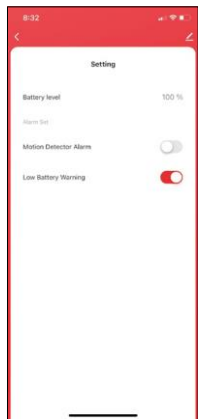
Description of icons and controls in the application



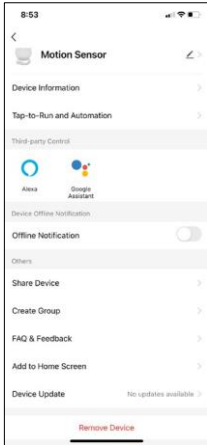
- 1, 2 - Current status indicator
- 3 - Motion detection and automation trigger records



- 4 - Automation management (described in a separate chapter)
- 5 - Sensor settings

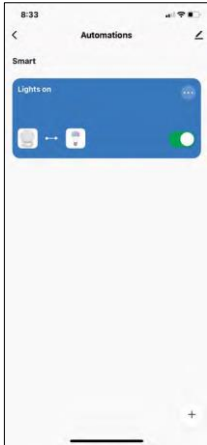


- Current battery status
 - Turning motion detection notification on/off
 - Turning low battery notification on/off
- 6 - Advanced device settings



Description of extension settings

- Device information - Basic information about the device and its owner
- Tap-to-Run and Automation - View scenes and automations assigned to the device.
- Offline Notification - To avoid constant reminders, a notification will be sent if the device remains offline for more than 30 minutes.
- Share Device - Share device management to another user
- Create group - device grouping
- FAQ & Feedback - View the most common questions along with their solutions plus the ability to send a question/suggestion/feedback directly to us
- Add to Home Screen - Add an icon to your phone's home screen. With this step, you don't have to open your device through the app every time, but just click directly on this added icon.
- Device update - Device update. Option to enable automatic updates
- Remove Device - Remove and evaporate the device. An important step if you wish to change the owner of the device. After adding the device to the app, the device is paired and cannot be added under another account.

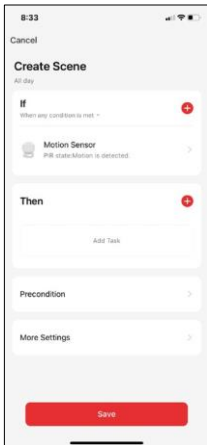


Automation settings

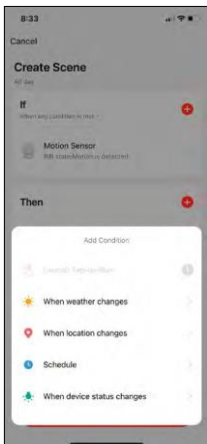
When you click on the automations option, you will see this interface with your scenes and automations.

Scenes and automation are the main added value of this smart sensor compared to conventional PIR sensors. This device not only alerts on motion but can perform many other processes based on it. For example, Detected motion -> turns on lights or activates siren.

Automations can be created by clicking on the "+" icon or in the main menu of the application.



In the "IF" section you can select the conditions for starting the automation. For this sensor it is possible to select: Motion detected, Motion not currently detected, Motion detected for a certain period of time and Motion not detected for a certain period of time. However, you can also select various other conditions such as change of position, time schedule or current weather condition.



In the "THEN" section, on the other hand, you assign actions to be performed by another device based on the conditions from the "IF" section.

"Precondition" - Setting additional conditions for starting the automation.

Troubleshooting FAQ

I can't get the devices to pair. What can I do?

- Make sure you are using a 2.4GHz Wi-Fi network and have a strong enough signal
- Allow the app all permissions in the settings
- Make sure you are using the latest version of the mobile operating system and the latest version of the app

I'm not getting notifications, why?

- Allow the app all permissions in the settings
- Turn on notifications in the app settings (Settings -> App notifications)

Who all can use the equipment?

- Facilities must always have an admin (owner)
- Admin can share the equipment with the remaining household members and assign them rights

